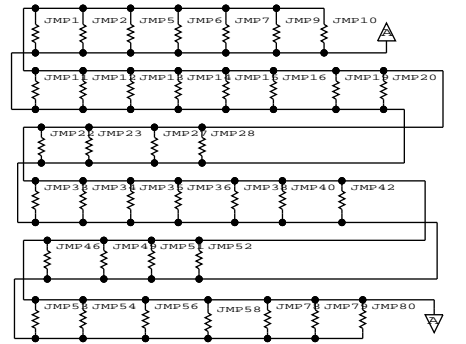
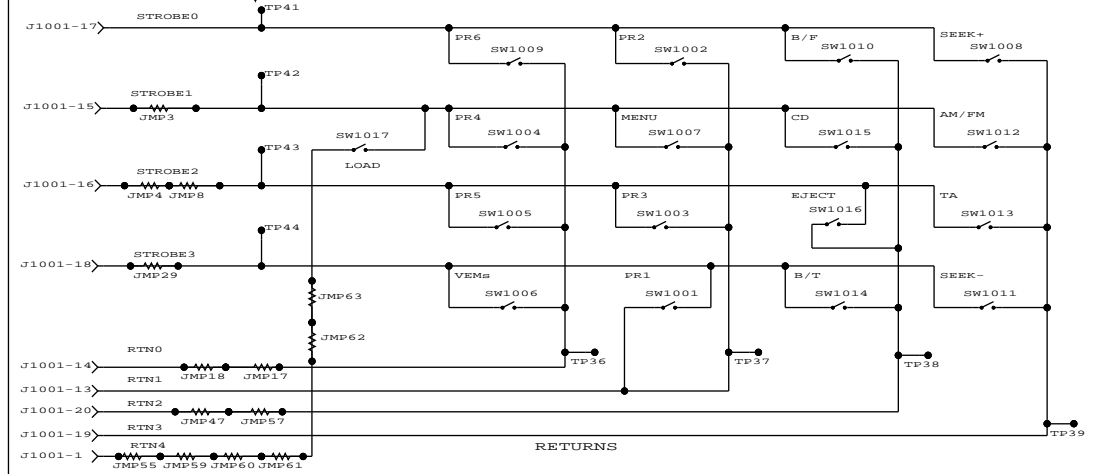
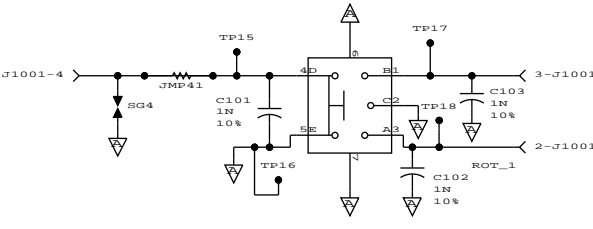
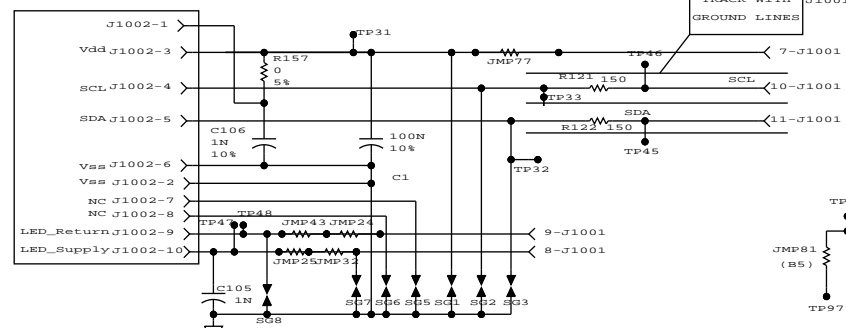
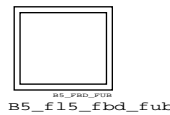
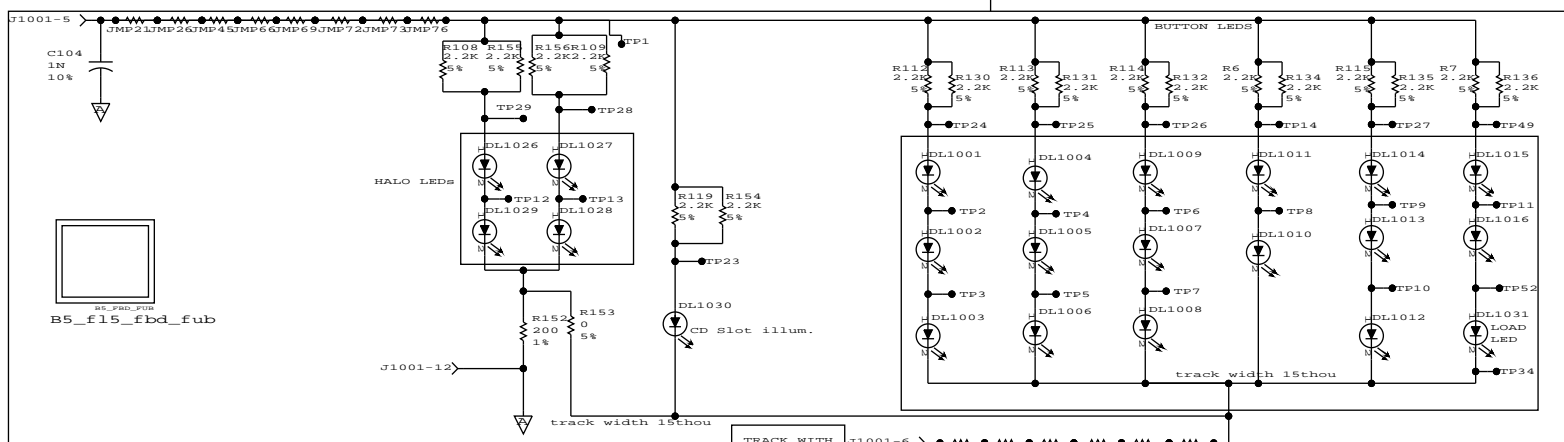


MS-XXXX-3458-XX

DATE	REV	REVISIONS	CG	MAN	CHK	APP
27-Sep-01	PWB1023	1. LED LED illumination circuit deleted				
		2. Changed 6 way LCD connector for 4way dot matrix bus connector				
		3. Add dot matrix bsd illumination circuitry				
		4. Reset circuitry .....				

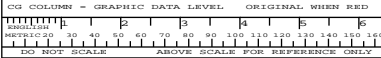
11-Dec-02 PWB1829 Add jumpers



PART MUST COMPLY WITH SPECIFICATION WSS-M90P999-A1 TO HELP SAFEGUARD HEALTH, SAFETY AND THE ENVIRONMENT

Visteon PRODUCT ENGINEERING

COMPUTER GRAPHIC DATA LEVEL ORIGINAL WHEN RED



REF	PROJECT/SCH/SCH_NAME	DATE	CHECKED	SCALE	APPROVED
		YYMMDD		NONE	

UNLESS OTHERWISE SPECIFIED:  
 DIMENSIONS ARE IN  INCHES  MILLIMETERS  
 MACHINED DIM: +/- 3RD ANGLE PROJECTION  
 ANGULAR DIM: +/- STAMPED DIM. +/-

MATERIAL	APP
	DATE
NAME	SKETCH - WIRING DIAGRAM (DRAWING_NAME)

NO. MS-XXXX-3458-XX